



Ohio Attorney General's Office
Bureau of Criminal Investigation
Investigative Report



2023-2598
Officer Involved Critical Incident – 415 Gregg Street, Washington
Courthouse, OH – Fayette County (L)

Investigative Activity: Document Review
Involves: Timothy D West (S)
Date of Activity: 10/05/2023
Activity Location: Ohio Bureau of Criminal Investigation – 1560 SR-56 SW, London, OH 43140
Author: SA Steven Seitzman

Narrative:

On October 5, 2023, Ohio Bureau of Criminal Investigation (BCI) Special Agent Steven Seitzman downloaded the Taser X26P user manual from AXON's website. The user manual was dated August 2022.

SA Seitzman reviewed the user manual and noted the following:

Important Safety and Health Information (see page 1):

- "TASER energy weapons are designed to temporarily incapacitate a person from a safer distance while reducing the likelihood of serious injuries or death... Any use of force, including the use of an energy weapon involves risks that a person may get hurt or die."

What is the TASER X26P Energy Weapon (see page 2):

- "The X26P energy weapon uses a replaceable cartridge containing compressed nitrogen to deploy two small probes that are attached to the X26P energy weapon cartridge by insulated conductive wires. The cartridges are available with various wire lengths from 15 to 25 feet (4.6 to 7.6 meters)."

Neuro Muscular Incapacitation (see page 4):

- "TASER technology is designed to use electrical impulses similar to those in your body's nervous system to cause stimulation of the sensory and motor nerves. Neuro Muscular Incapacitation (NMI) occurs when a [sic] energy weapon is able to cause involuntary stimulation of both the sensory nerves and the motor nerves."

This document is the property of the Ohio Bureau of Criminal Investigation and is confidential in nature. Neither the document nor its contents are to be disseminated outside your agency except as provided by law – a statute, an administrative rule, or any rule of procedure.

Basic X26P Energy Weapon Electrical Theory (see page 5):

- "Electricity must be able to flow between the probes to deliver an electrical charge and will generally follow the path of least resistance."
- "Generally, the greater the spread between the probes on the target, the greater the effectiveness."
- "Electricity will generally not pass to others in contact with the subject unless contact is made directly between or on the probes, or the wires are touched."
- "Electricity can arc through most clothing, and even some bullet-resistant materials."
- "Exposure to water will not increase the power to the subject. The electrical charge is fixed inside the TASER energy weapon, and will not increase significantly even with environmental changes."
- "The Current Metering technology is designed to deliver optimal charge."

Aiming and Probe Placement (see page 19):

- "For most deployments, hold the energy weapon level. Tilt the energy weapon when necessary to align the probes with the target."
- "All TASER energy weapon deployments should be in accordance with current TASER training and warnings, and department training, policies, and procedures."
- "When practicable, aim the LASER at the preferred target areas of the body, which are the lower center-mass (below the chest) and legs when the subject is facing you, or the subject's back if the subject is turned away from you."
- "When possible, avoid intentionally targeting the energy weapons on sensitive areas of the body such as the head, throat, chest/breast, or known pre-existing injury areas without legal justification."

The user manual is attached below. Readers are encouraged to read the manual in its entirety.

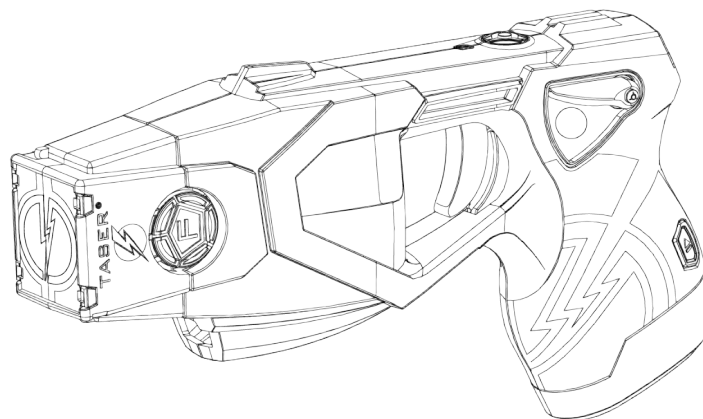
Attachments:

Attachment # 01: X26P Manual MMU0042

Exhibit 1



TASER X26P Energy Weapon User Manual



English



Models 11000, 11001, 11002, 11003, T00074

IMPORTANT SAFETY INSTRUCTIONS

Read all warnings and instructions. Save these instructions.

The most up-to-date warnings and instructions are available at www.axon.com

MMU0042 Rev: M


August 2022



Contents

1	Chapter 1: Warnings
1	Important Safety and Health Information
2	LASER Information
2	Use of Force Policy
3	Firmware Update
4	Chapter 2: General Information
4	What is the TASER X26P Energy Weapon?
4	Neuro Muscular Incapacitation (NMI)
5	Basic X26P Energy Weapon Electrical Theory
6	Chapter 3: Features
6	X26P Energy Weapon Features
6	Safety Switch
7	LASER
7	Mechanical Sights
7	Performance Power Magazine (PPM) Battery Pack
8	Changing the Battery Pack
8	Tactical Performance Power Magazine (TPPM) Battery Pack
9	eXtended Performance Power Magazine (XPPM) Battery Pack
9	Automatic Shut-Down Performance Power Magazine (APPM) Battery Pack
9	Replacing the APPM with a Different Battery Pack
10	eXtended Automatic Shut-Down Performance Power Magazine (XAPPM) Battery Pack
10	Signal Performance Power Magazine (SPPM) Battery Pack <small>(Model T00074)</small>
10	Automatic Shut-Down Option
10	Continued SPPM Transmit in Safe Option
11	Signal Mute Mode
11	Updating the SPPM Firmware





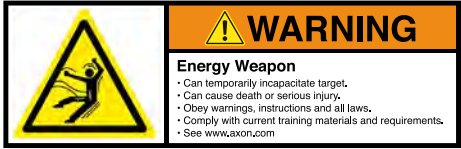
11	Near Field Communications (NFC) Tag
11	Advanced Central Information Display (CID)
11	System Status Icons
13	Battery Level Icons
13	Spark Duration
13	Sample CID Displays
14	LED Flashlight
15	Selector Switch (LASER and LED Flashlights)
15	Enabling SPPM Signal Mute Mode
16	Trigger Switch
17	Chapter 4: Cartridges & Energy Weapon Operation
17	Removing the Shipping Cover from the Cartridge
17	15, 21, LS, and XP25 TASER Cartridges
18	AFID
18	Load the TASER Cartridge
18	Loading
19	Unloading
19	Aiming and Probe Placement
20	“Silence is Golden”
20	Audible Pulse Rate Changes
20	Potential Causes of Reduced or No Effectiveness
21	Electrodes
21	Drive-Stun Backup
22	Recommended Drive-Stun Areas for Maximum Effect
23	Chapter 5: Maintenance/Troubleshooting
23	Function Test
23	Function Test Instructions
24	What to Do following Energy Weapon Use
24	Considerations for Handling Used Probes
24	Effects on Animals
24	Police/Military K-9 Caution
25	Downloading Firmware Revisions
25	Dataport Download Kit
25	USB Connection Status
25	Evidence Sync Offline Software

25	Trilogy Log
26	Event Log
26	Pulse Log
26	Engineering Log
27	Time Synchronization
27	X26P Energy Weapon Maintenance and Care
27	Dropped or Wet X26P Energy Weapon
29	Online Troubleshooting Guide
29	Product Returns
30	Chapter 6: Optional Accessories
30	Axon Evidence Services
30	Evidence Sync Offline Software
30	TASER CAM HD Recorder
31	Holsters
32	Chapter 7: Additional items
32	Additional information
32	Axon Academy
32	Medical Research
33	Radio Waves
34	 Declaration of Conformity
34	Compliance Marks

Chapter 1: Warnings

Important Safety and Health Information

Read, understand and follow the most current product warnings, safety instructions, and training materials. All product warnings are not included in this Manual. A Product Warnings document is included with this energy weapon and the most current warnings are posted on our website at www.axon.com. The most current training materials are available by contacting Axon's Training Department. Do not attempt to use this energy weapon until you have completed training with an Axon Enterprise, Inc. (Axon) Certified TASER Instructor.

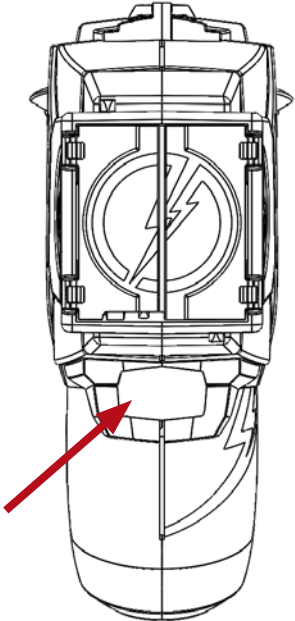
 WARNING!	
	Complete training first Significant differences exist between each of the TASER energy weapon models. Do not use or attempt to use any energy weapon model unless you have been trained and certified by a Certified TASER Instructor on that particular model.
	Read and obey Read, study, understand, and follow all instructions, warnings, information, training bulletins and relevant TASER training materials before using the TASER X26P energy weapon. Failure to comply with the product instructions, warnings, information, training bulletins, and TASER training materials could result in death or serious injury to the user, force recipient, and others.
	Obey applicable laws Use of energy weapons must be legally justified and comply with applicable federal, state, and local laws and regulations. The decision to use an energy weapon in a particular manner or circumstance must follow applicable law enforcement agency Guidance.
	

In probe-deployment mode, TASER energy weapons are designed to temporarily incapacitate a person from a safer distance while reducing the likelihood of serious injuries or death. When used as directed, TASER energy weapons have been found to be safer and more effective than other traditional use-of-force tools and techniques. However, it is important to remember that the use of force and physical incapacitation, by their very nature, involve risk that someone will get hurt or may even die from factors that include, but are not limited to: physical resistance, exertion, individual susceptibilities, and/or unforeseen circumstances. Any use of force, including the use of an energy weapon, or physical exertion involves risks that a person may get hurt or die.

LASER Information

⚠ WARNING!	
<p>LASER RADIATION DO NOT STARE INTO BEAM CLASS 2 LASER PRODUCT</p>	

⚠ WARNING!	
<p>LASER RADIATION AVOID DIRECT EYE EXPOSURE CLASS 3R LASER PRODUCT</p>	

⚠ WARNING!	
<p>AVOID EXPOSURE – LASER RADIATION IS EMITTED FROM THIS APERTURE</p>	

⚠ CAUTION! RADIATION EXPOSURE	
<p>Use of controls or adjustments or performance of procedures other than those specified herein may result in hazardous radiation exposure.</p>	

Use of Force Policy

Each agency is responsible for creating its own use-of-force policy and determining how TASER energy weapons fit its use-of-force matrix based on legal and community standards. Make sure your agency has a use-of-force policy that addresses TASER energy weapon use and that this policy is clearly addressed during end-user training.

Firmware Update

Before using your X26P energy weapon, confirm with your armorer or other qualified person that the X26P firmware has been updated.

Chapter 2: General Information

What is the TASER X26P Energy Weapon?

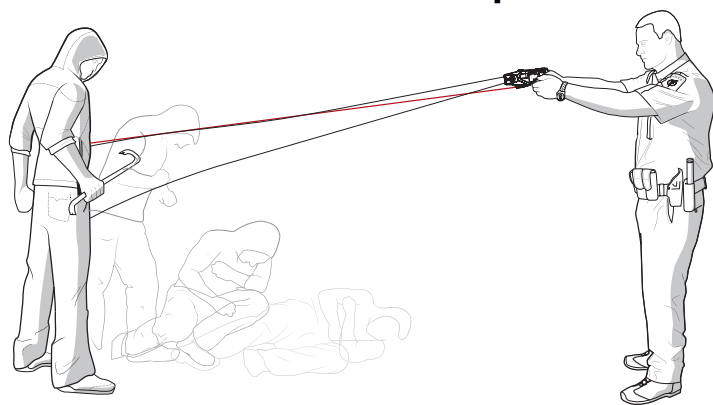
The X26P energy weapon is a firmware-upgradable weapon manufactured by Axon Enterprise, Inc.

The X26P energy weapon uses a replaceable cartridge containing compressed nitrogen to deploy two small probes that are attached to the X26P energy weapon cartridge by insulated conductive wires. The cartridges are available with various wire lengths from 15 to 25 feet (4.6 to 7.6 meters). The X26P energy weapon transmits electrical pulses along the wires and into the body which are designed to affect the sensory and motor functions of the peripheral nervous system and cause involuntary muscle contractions. Sale of cartridges with wire length longer than 15 feet is limited to law enforcement and military only.

The X26P energy weapon has an internal memory that stores the operating firmware and a deployment record. See *Trilogy Log* (Chapter 5) for more details. The X26P energy weapon's Trilogy log can be uploaded securely to Axon Evidence (Evidence.com) services. Those who do not have an Axon Evidence account can use the Offline Evidence Sync software to download a simplified log to a local computer.

The X26P energy weapon has an estimated useful life of five years.

Neuro Muscular Incapacitation (NMI)



TASER technology is designed to use electrical impulses similar to those in your body's nervous system to cause stimulation of the sensory and motor nerves. Neuro Muscular Incapacitation (NMI) occurs when a energy weapon is able to cause involuntary stimulation of both the sensory nerves and the motor nerves. It is not dependent on pain and can be effective on subjects with a high level of pain tolerance.

Previous generations of stun guns primarily affected the sensory nerves only, resulting in pain compliance. A subject with a very high tolerance to pain (e.g., a drug abuser, person in serious psychological distress, or a trained, focused fighter) may not be affected by the pain or might be able to fight through the pain of a traditional stun gun.

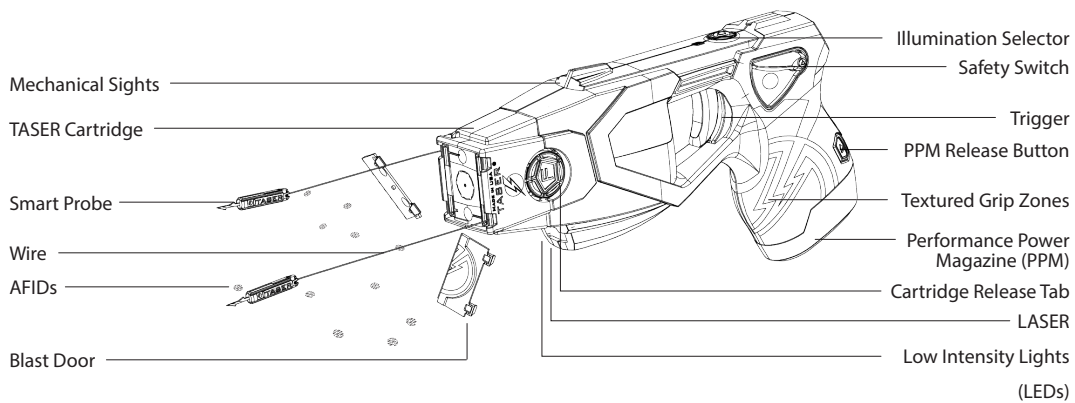
Basic X26P Energy Weapon Electrical Theory

- Electricity must be able to flow between the probes to deliver an electrical charge and will generally follow the path of least resistance.
- Generally, the greater the spread between the probes on the target, the greater the effectiveness.
- Electricity will generally not pass to others in contact with the subject unless contact is made directly between or on the probes, or the wires are touched.
- Electricity can arc through most clothing, and even some bullet-resistant materials.
- Exposure to water will not increase the power to the subject. The electrical charge is fixed inside the TASER energy weapon, and will not increase significantly even with environmental changes.
- The Current Metering technology is designed to deliver optimal charge.

Chapter 3: Features

X26P Energy Weapon Features

Get to know the X26P energy weapon:



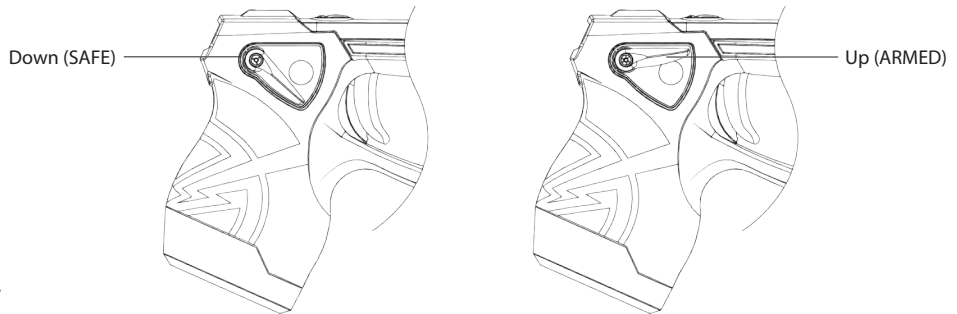
Note: The serial number is located inside the cartridge bay.

Ensure the energy weapon is unloaded, the safety is in the down (SAFE) position, and your fingers are away from the trigger before reading the serial number.

Safety Switch

Ambidextrous safety can be operated from either side of the energy weapon.

- Safety switch down (SAFE).
- Safety switch up (ARMED) and ready to deploy.
- Do not block the safety on one side of the X26P energy weapon while attempting to move it on the other side. This can break the safety and disable the energy weapon.



- If the X26P energy weapon's safety switch is left in the up (ARMED) position for more than 20 minutes, the system goes into low power mode to reduce the amount of power consumed, and the energy weapon will not fire. Although the energy weapon will not fire, power is still consumed

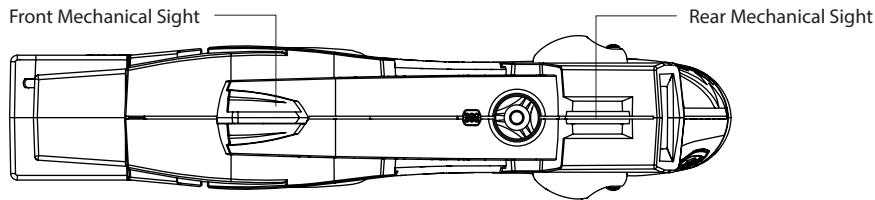
and will eventually drain the battery if the safety switch remains in the ARMED position. To re-arm the energy weapon, shift the safety to the down (SAFE) position, and then shift it back to the up (ARMED) position.

LASER

The LASER installed in the X26P energy weapon is oriented with the mechanical sights. At 15 feet (4.6 m), the aiming point is aligned to the approximate trajectory of a cartridge's top probe.

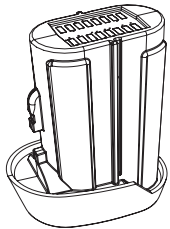
Mechanical Sights

The mechanical sights on the X26P energy weapon are molded to provide manual aiming of the energy weapon. The mechanical sights are set to coincide with a top probe's trajectory at a 15-foot (4.6 m) distance.



Performance Power Magazine (PPM) Battery Pack

The Performance Power Magazine is a lithium energy cell power supply system for the X26P energy weapon.



Note: X26P battery packs will not work with the TASER 7, X3, or X26 energy weapons. Battery packs designed for the X2 energy weapon will work in the X26P energy weapon.

Battery packs should be stored in their original packaging, including the desiccant bag, until they are to be used. Do not store the PPM anywhere that the gold contacts on the top of the PPM may touch metal objects. If you cause an electrical short between these contacts, the short will drain the battery and may cause the pack itself to become dangerously hot.

The PPM battery has enough power for approximately 500 five-second discharges depending on temperature, environment, use of the flashlight, and other factors. The PPM battery will deplete faster in colder weather than warm weather. Likewise, the battery will deplete faster with the flashlight active.

For more information on installing the PPM, see *Changing the Battery Pack*.

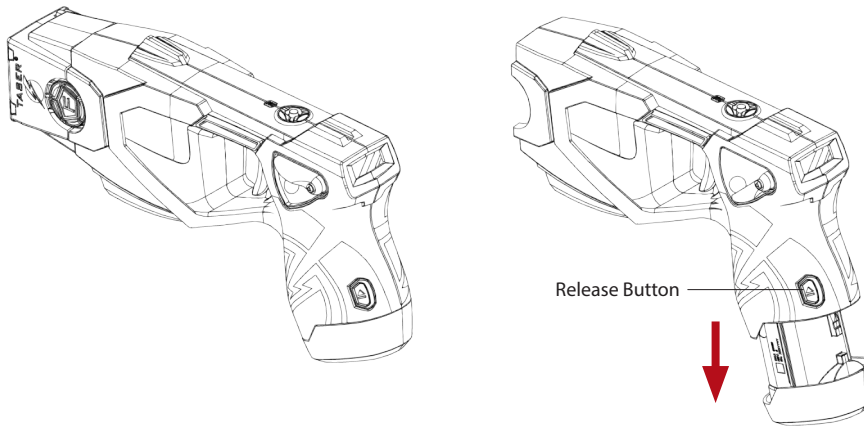
Note: Other battery pack options are available for the X26P energy weapon. See *Tactical Performance Power Magazine (TPPM) Battery Pack*, *eXtended Performance Power Magazine (XPPM) Battery Pack*, *Automatic Shut-Down Performance Power Magazine (APPM) Battery Pack*, *eXtended Automatic Shut-Down Performance Power Magazine (XAPPM) Battery Pack*, and *Signal Performance Power Magazine*

(SPPM) Battery Pack (Model T00074).

Changing the Battery Pack

To change the battery pack:

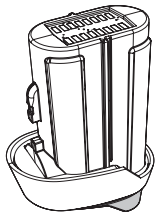
- 1 Point the energy weapon in a safe direction.
- 2 Ensure the safety switch is in the down (SAFE) position.
- 3 Safely remove the TASER cartridge (do not place any body parts in front of the cartridge). See *Unloading* (Chapter 4) for more information.
- 4 To unload the battery pack, depress the battery pack release button and remove the battery pack from the handle of the energy weapon.



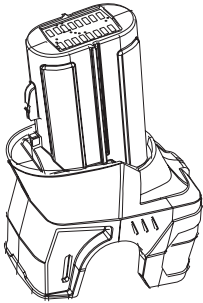
- 5 Inspect the battery contacts. Ensure that they appear in working order and are free from dirt or other residue that may interrupt the battery connection to the energy weapon.
- 6 Install the new battery pack and ensure that it is fully inserted in the X26P energy weapon. Apply sufficient force to ensure the battery pack is fully seated. When the battery pack seats properly, the release button should pop out from the recessed portion with an audible click.

Tactical Performance Power Magazine (TPPM) Battery Pack

The optional TPPM has an extension to provide a larger grip on the energy weapon. The TPPM does not hold an extra cartridge.



eXtended Performance Power Magazine (XPPM) Battery Pack



To install a TASER standard cartridge in an XPPM:

- 1 Ensure the cartridge cover is removed. See *Removing the Shipping Cover from the Cartridge* (Chapter 4).
- 2 Keeping your hand away from the blast doors, depress the tabs on the sides of the cartridge.
- 3 Insert the cartridge in the XPPM so the blast doors face forward, toward the front of the energy weapon.

To remove the cartridge, keeping your hand away from the blast doors, depress the tabs again and pull the cartridge out of the XPPM.

Automatic Shut-Down Performance Power Magazine (APPM) Battery Pack

The optional APPM is a modified battery pack that shuts down the output of the X26P energy weapon after five seconds and also contains a built-in speaker that alerts you to the impending shut down. The APPM icon will be displayed in the top left corner of the CID when the energy weapon detects that an APPM is installed.

Under stressful situations, audio exclusion might prevent you from hearing the alert from the APPM.

The APPM provides an audible beeping alert for the last two seconds of a trigger-initiated cycle before automatically shutting down the cycle. After a 5-second deployment duration, the energy burst will stop even if your finger is still pulling the trigger switch. The audible beeping alert will continue to sound until the trigger switch is released. To re-energize the deployed cartridge, first ensure that your finger is off the trigger switch, and then press the trigger again.

Replacing the APPM with a Different Battery Pack

Your energy weapon will recognize the APPM as a unique type of battery pack. If you remove the APPM and replace it with a different type of battery pack, the X26P energy weapon will return to its normal configuration. That is, there will no longer be an audio alert, and the energy cycle will continue after five seconds if your finger is still holding down the trigger switch. Always confirm that the energy weapon performs as expected before returning it to duty after changing any battery pack.

Remove the cartridge before testing the energy weapon function. See *Unloading* (Chapter 4) for more information.

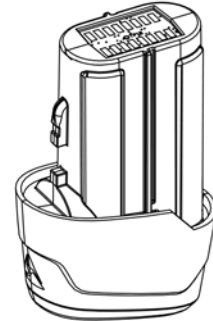
eXtended Automatic Shut-Down Performance Power Magazine (XAPPM) Battery Pack

The XAPPM holds an extra TASER standard cartridge like the XPPM and enables the automatic output shut-down functionality of the energy weapon like the APPM. See *Automatic Shut-Down Performance Power Magazine (APPM) Battery Pack* for more information.

Signal Performance Power Magazine (SPPM) Battery Pack (Model T00074)

The optional Signal Performance Power Magazine (SPPM) is a battery pack designed to work with devices that are equipped with Axon Signal technology.

When an X26P energy weapon is equipped with an SPPM, shifting the energy weapon's safety switch to the up (ARMED) position causes the SPPM to send a signal. Upon receipt of this signal, a compatible device can perform a programmed response.



Note: Your energy weapon must have firmware version 4.032 or greater to make use of the SPPM's special features. Without the firmware update, the SPPM only functions as a battery pack like the PPM. Evidence Sync version 3.15.30 or greater is required to configure the SPPM. See the *Evidence Sync User Manual* for more information on firmware updates.

The SPPM transmission begins after the safety switch is shifted to the up (ARMED) position. The signal has a range of up to 30 feet (9.1 meters) line-of-sight.

The SPPM icon will be displayed in the top left corner of the CID when the SPPM has started transmitting the energy weapon status (see the table below).

These are the types of information the SPPM transmission sends:

Event	Description
ARMED event	The safety switch was shifted to the up (ARMED) position.
ARMED + 10 seconds	Ten seconds have elapsed since the safety switch was shifted to the up (ARMED) position.
Trigger event	The trigger was pressed.
Signal Mute Mode	Signal Mute Mode has been activated by the user.

Automatic Shut-Down Option

The SPPM can enable the automatic shut-down feature when used in a energy weapon. The X26P will function the same way as if it were equipped with the APPM battery pack. See *Automatic Shut-Down Performance Power Magazine (APPM) Battery Pack* for more information. To enable the automatic shut-down feature, the agency must configure the energy weapon through Axon Evidence services.

Continued SPPM Transmit in Safe Option

The X26P energy weapon can be configured to remain powered after the safety switch is shifted to the down (SAFE) position, which allows the SPPM to finish the transmission of any pending status for the full 30 seconds. The CID will continue to display the SPPM icon and display a message "DO NOT REMOVE BATTERY." If the safety switch is shifted to the up (ARMED) position while the device is still sending a Signal transmission, the 30-second timers for each status event will be restarted. Do not remove the SPPM from the energy weapon until the device has finished its Signal transmission and

the CID goes blank. To enable the Transmit in Safe feature, the agency must configure the energy weapon through the Axon Evidence website. Enabling this setting will decrease expected battery lifetime firings.

Signal Mute Mode

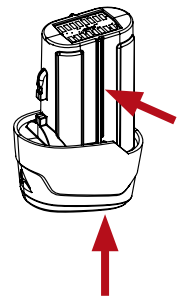
If your energy weapon is equipped with an SPPM battery back, Signal Mute Mode can be enabled to NOT alert Axon cameras to record. This may be useful when performing a function test. See *Function Test* (Chapter 5) for more information. Mute Mode is enabled by the user when the energy weapon is in configuration mode; see *Enabling SPPM Signal Mute Mode*. The device will return to normal operation after the safety switch is placed in the down (SAFE) position. Any pending 30-second transmissions will be discontinued.

Updating the SPPM Firmware

To update the SPPM firmware, the device must be connected to a TASER central device over the air (OTA). The energy weapon sends a command to the SPPM to start a transmission for this connection when the energy weapon is in configuration mode. With the safety switch in the down (SAFE) position, press the selector switch on the top of the X26P energy weapon. After a connection with a central device has been established, the CID will change to display the SPPM battery icon and a message "DO NOT REMOVE BATTERY." Once the connection to the central device has ended, the energy weapon will return to the standard selector mode menu or the energy weapon will exit configuration mode.

Near Field Communications (NFC) Tag

On one side (as shown) or the bottom of the SPPM is an NFC tag that can be scanned by an NFC-compatible smart device equipped with the Axon Device Manager application to register, assign, or reassign the battery pack. For more information see *Axon Device Manager for Android Guide* or *Axon Device Manager for iOS Guide*, as appropriate.



Advanced Central Information Display (CID)

The Advanced CID is a monochrome organic light emitting display on the back of the X26P energy weapon. When the safety switch is shifted into the up (ARMED) position, the CID will display the battery status.



System Status Icons

The system status icons are designed to inform you of the system status of the X26P energy weapon. It is a fault indicator only, and it is the user's responsibility to conduct proper maintenance, and ensure that the energy weapon is working properly before any use. Failure to heed the system status icons could cause serious injury or death.

All faults are recorded in the X26P energy weapon's Engineering log.



Major fault indication. A yellow triangle in the upper-right side of the CID indicates that the logging, date and time functions, or ability for the energy weapon to successfully read the PPM information are not working properly. The energy weapon will still produce an electrical output (e.g., the energy weapon should still arc and deploy cartridges), but the accountability functions are compromised.

Shift the safety switch to the down (SAFE) position and then to the up (ARMED) position; the fault may clear.

Whether the fault clears or not, it will be recorded in the Engineering log. If the fault does not clear, do NOT attempt to use the energy weapon. The energy weapon may need to be repaired or replaced. See *Product Returns* (Chapter 5) for instructions



Critical fault indication. A yellow stop sign in the upper-right side of the CID indicates a system failure.

Critical faults are rare. Do NOT attempt to use the energy weapon. The energy weapon may need to be repaired or replaced. See *Product Returns* (Chapter 5) for instructions.



Invalid battery pack. If you see a blinking exclamation point and battery icon, this indicates that the energy weapon did not recognize the battery correctly. Remove the battery pack and reinsert it. If the error is still present, try another battery pack. If the icon still displays, the energy weapon should be sent in for service if it is still under warranty. See *Product Returns* (Chapter 5) for instructions.



An APPM or XAPPM battery pack is installed in the energy weapon. See *Automatic Shut-Down Performance Power Magazine (APPM) Battery Pack* for more information.



A TASER CAM HD recorder is installed in the energy weapon. See *TASER CAM HD Recorder Operating Manual* for more information.



A TASER CAM HD recorder with the automatic shut-down feature is installed in the energy weapon. This recorder offers an audio warning and shut-down feature like that of an APPM battery pack. See *TASER CAM HD Recorder Operating Manual* for more information.



An SPPM battery pack is installed in the energy weapon. See *Signal Performance Power Magazine (SPPM) Battery Pack (Model T00074)* for more information.



An SPPM battery pack is installed in the energy weapon, and the energy weapon is in Mute Mode. See *Enabling SPPM Signal Mute Mode* for more information.



When you plug the USB download cable into the X2 energy weapon, the USB connection status icon and the device serial number will appear. See *USB Connection Status* (Chapter 5) for more information.

DO NOT REMOVE BATTERY

When there is an SPPM transmission in the safe mode or the SPPM is connecting for updates, the warning DO NOT REMOVE BATTERY is displayed.

Battery Level Icons

When the safety switch is in the up (ARMED) position, the CID will display the percentage of battery power remaining. Remaining capacity will display in 20 percent increments.

When the battery level drops below 20 percent, Axon Enterprise recommends that the battery pack be replaced.



Battery 81–100% Battery 61–80% Battery 41–60% Battery 21–40%



If the battery capacity is at 1–10 percent, the CID will flash the warning **LO BATT** on the CID when the safety switch is cycled to the up (ARMED) position when using any PPM type.

The LO BATT warning will be displayed when the battery capacity is between 1–40 percent for TASER CAM HD.



Battery 01–20%
Blinking

If the battery capacity is at 1–20 percent, this icon displays in the lower-right portion the CID.



When the TASER CAM HD battery is depleted, the CID will flash the warning **RECHARGE BATTERY** on the CID when the safety switch is cycled to the up (ARMED) position. The weapon will not discharge. The weapon will shut down after the safety is shifted upward.



When using any PPM-type battery pack that is depleted, the CID will flash the warning **CHANGE BATTERY** on the CID when the safety switch is cycled to the up (ARMED) position. The weapon will not discharge. The weapon will shut down after the safety is shifted upward.

Spark Duration

The CID displays a count indicating how many seconds the deployment cycle lasts. The energy weapon will count up from the number 1 up to 99. At 99 seconds, the count will restart at 1.



Sample CID Displays

The CID below shows the X26P energy weapon with a TASER CAM HD recorder installed and a battery capacity of 61–80 percent.



The CID below shows an energy weapon that has been discharging for four seconds, with a battery pack that is at 41–60 percent capacity.



The CID below shows a energy weapon with an APPM battery pack installed that has a battery capacity of 61–80 percent.



The CID below shows a energy weapon with a battery pack error.



The CID below shows an energy weapon that is 4 seconds into an energy burst, has a battery pack that is 81–100 percent charged, and a major fault with the energy weapon.



LED Flashlight

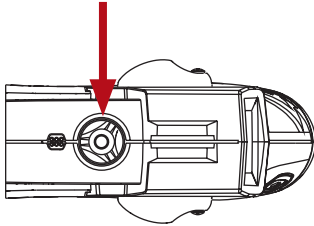
The X26P energy weapon has a high intensity white LED to aid the user in dark environments.



Selector Switch (LASER and LED Flashlights)

You can select four modes of illumination when using the X26P energy weapon. To change the illumination setting:

- 1 Point the energy weapon in a safe direction.
- 2 Ensure the safety switch is in the down (SAFE) position.
- 3 Keeping your hand away from the blast doors, depress the tabs on the sides of the cartridge and remove.
- 4 Press and hold the selector switch for approximately one second until the CID display illuminates.



Note: Using pens or paper clips to press the selector switch may damage it. Only use your finger to press the selector switch.

- 5 Press and release the selector switch to toggle through the four available settings on the CID. Stop when the setting you desire is highlighted.



OO: Neither the LASER nor the Flashlight will illuminate.

LO: Only LASER will illuminate

OF: Only Flashlight will illuminate

LF: LASER and Flashlight both illuminate

The selected mode displays for 30 seconds, and will be the default mode the next time the safety switch is moved to the up (ARMED) position.

The selector switch may also be used to activate the Stealth Mode, which will shut off the LASER and flashlight, and dim the CID display. To do this, press the selector switch when the safety is in the up (ARMED) position. To take the energy weapon out of Stealth Mode, press the selector switch again or shift the safety to the down (SAFE) position. You will have to reactivate the Stealth mode each time you place the safety in the up (ARMED) position.

Enabling SPPM Signal Mute Mode

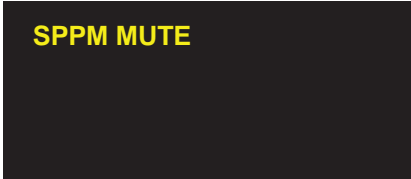
If your energy weapon is equipped with an SPPM battery back, Signal Mute Mode can be enabled to NOT alert Axon cameras to record. This may be useful when performing a function test. See *Function Test* (Chapter 5) for more information.

- 1 With the safety in the down (SAFE) position, press and hold the selector switch until the illumination menu displays.

- 2 Press and release the selector switch until the LF setting is highlighted.



- 3 Press and release the selector switch and “SPPM MUTE” will be displayed on the CID.



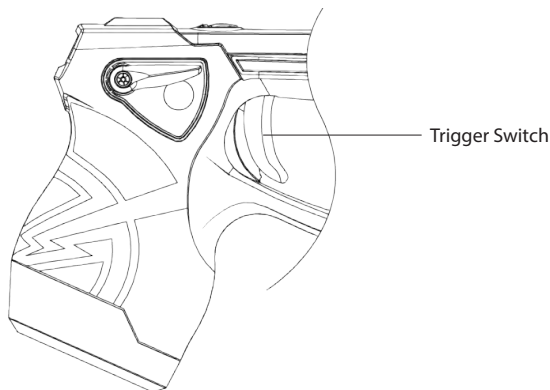
- 4 If the safety switch is placed in the up (ARMED) position while this screen is displayed, the energy weapon will enter Mute Mode for the session. In Signal Mute Mode, an inverted SPPM icon will be displayed in the upper left corner of CID. See *Signal Mute Mode* for more information. The device will return to normal operation after the safety switch is placed in the down (SAFE) position. Any pending 30 second transmissions will be discontinued. See *SPPM Transmit in Safe Option* for more information.

Trigger Switch

Unlike a firearm trigger, the X26P energy weapon trigger is a momentary electrical switch. The trigger is operational only when the safety switch is in the up (ARMED) position. Pulling and releasing the trigger switch will result in an approximately 5-second discharge cycle unless the safety switch is shifted to the down (SAFE) position to discontinue the 5-second cycle. Pulling and holding the trigger switch for more than five seconds will result in a continuous discharge until the trigger switch is released, or the battery is depleted—whichever comes first.

An X26P energy weapon equipped with the APPM battery pack is limited to 5-second discharges and emits an audio alert two seconds before the end of the cycle. See *Automatic Shut-Down Performance Power Magazine (APPM) Battery Pack* for more information. An X26P energy weapon equipped with an SPPM can be configured to enable the energy weapon’s automatic shutdown feature. See *Signal Performance Power Magazine (SPPM) Battery Pack (Model T00074)* for more information.

In the event of an accidental discharge, immediately move the safety switch to the down (SAFE) position to stop the discharge cycle.



Chapter 4: Cartridges & Energy Weapon Operation

Removing the Shipping Cover from the Cartridge



Cartridges are sold separately from the energy weapon. Cartridges are shipped with a shipping cover in place. Carefully remove these covers before attempting to load a cartridge into the X26P energy weapon. Be careful to not allow any body part to be in front of the cartridge. Static electricity can discharge a cartridge, and injuries have occurred. A cartridge cannot be loaded into the energy weapon with the cover in place. Once the cartridge cover is removed, it can be disposed of.

- 1 Before removing the covers, make sure the front of the cartridge does not point at any body part or at anyone.
- 2 Carefully place the cartridge with cover face down (blast door down) onto a stable/solid surface, i.e., a table.
- 3 Place your index and middle fingers onto the sides of the cartridge where the wedges/electrodes are located and place your thumbs onto the locking portions of the cover.
- 4 Push in with your fingers and pull outward with your thumbs and the cartridge will pop upward, releasing it from the cover.

Note: The cartridge may pop upward quickly when the pressure is released from the locking portions of the cover.

15, 21, LS, and XP25 TASER Cartridges

Never attempt to open or modify a TASER cartridge. Tampering with a live TASER cartridge could cause it to fire or malfunction (which may result in serious injury).

Handle all TASER cartridges with care. Probes may deploy unexpectedly if exposed to physical shock, or static electricity.

TASER cartridges should be kept away from conditions known to create an electrostatic discharge, such as rubbing cloth (e.g., jacket liner or uniform pants) across a cartridge in an environment known to create static shocks.

Cartridge blast doors can be knocked off the front of a cartridge. Because those cartridges cannot be relied upon to consistently discharge, Axon recommends removing those cartridges from service. Attempting to deploy a cartridge with no blast doors could result in a charge being created and held in the wires. Any conductive material that comes into contact with the front of the cartridge, even after the cycle has ended, could draw the charge to the ignition pin and deploy the probes.

AFID

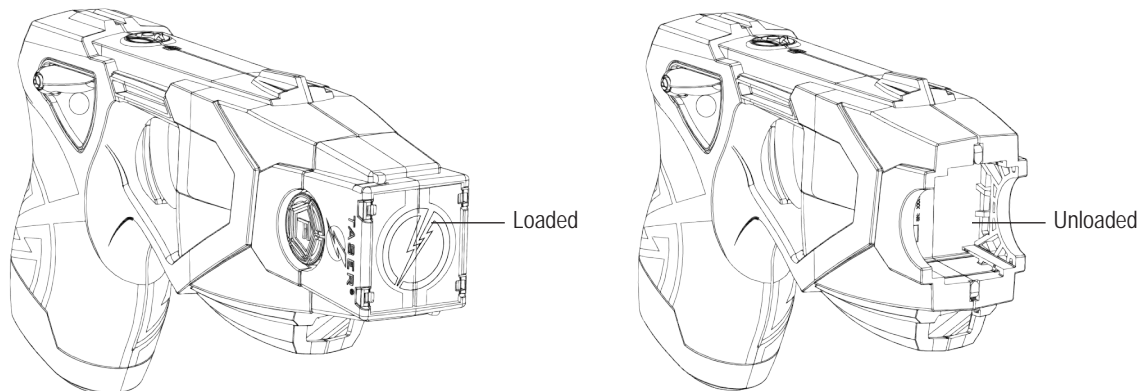
Every time a TASER cartridge is deployed, approximately 20–30 small confetti-like Anti-Felon Identification (AFID) tags are ejected. Cartridges can be assigned to individual users, as each is serialized. Each AFID tag is printed with the corresponding serial number of the cartridge deployed, allowing determination of which user deployed the particular cartridge.



Load the TASER Cartridge

Never place your hands or fingers in front of the cartridge. This is especially important when loading and unloading the cartridge. Serious injury could result. When loading and unloading always hold the cartridge on the sides or top.

TASER cartridges are shipped with a shipping cover in place. Remove these covers before attempting to load a cartridge into an X26P energy weapon. See *Removing the Shipping Cover from the Cartridge* for more information.



Loading

- 1 Point the energy weapon in a safe direction.
- 2 Ensure that the safety switch is in the down (SAFE) position.
- 3 Make sure the protective shipping cover is removed from the TASER cartridge.
- 4 Keeping your hand away from the blast doors, place the cartridge (with the cartridge cover removed) into the front of the energy weapon until an audible click is heard.

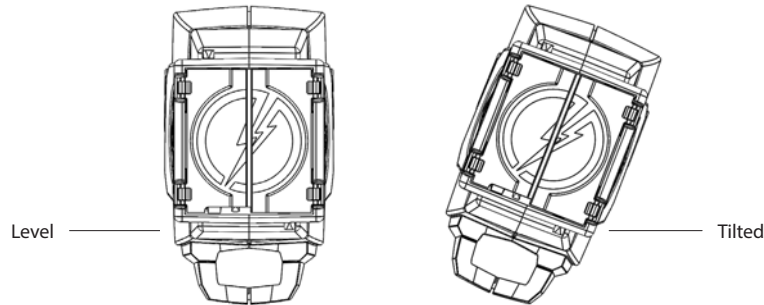
- 5 Verify that the cartridge is secure by pulling on the sides of the cartridge.

Unloading

- 1 Point the energy weapon in a safe direction.
- 2 Ensure that the safety switch is in the down (SAFE) position.
- 3 Keeping your hand away from the blast doors, depress the tabs on the sides of the cartridge and remove.

The 15-, 21-, and 25-foot (4.6-, 6.4-, and 7.6-meter, respectively) TASER cartridges are specifically designed so there is no “up” or “down” position – enabling you to quickly reload one in a stressful situation without worrying about putting it in upside down.

Aiming and Probe Placement

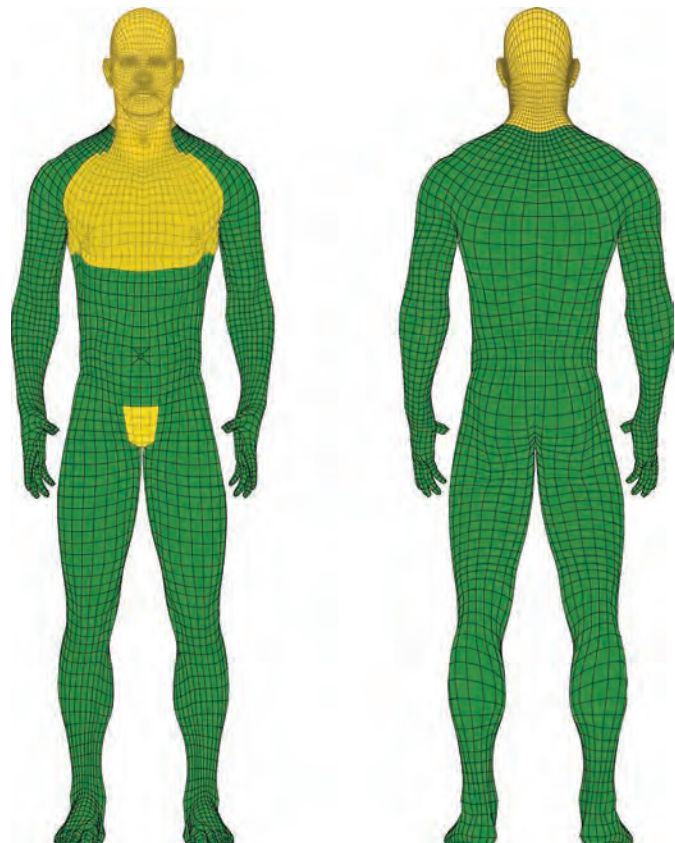


For most deployments, hold the energy weapon level. Tilt the energy weapon when necessary to align the probes with the target.

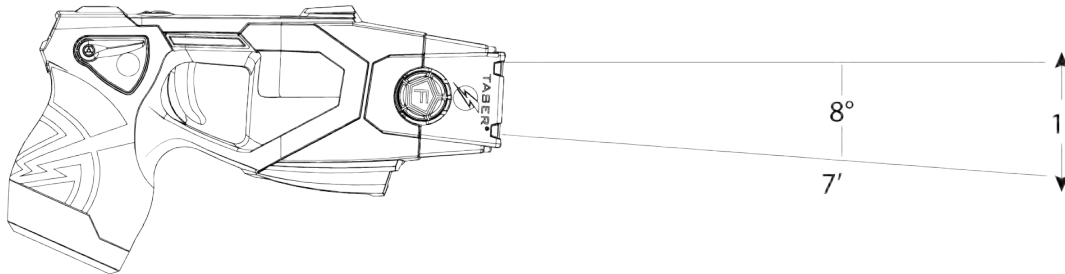
All TASER energy weapon deployments should be in accordance with current TASER training and warnings, and department training, policies, and procedures.

When practicable, aim the LASER at the preferred target areas of the body, which are the lower center-mass (below the chest) and legs when the subject is facing you, or the subject’s back if the subject is turned away from you.

When possible, avoid intentionally targeting the energy weapons on sensitive areas of the body such as the head, throat, chest/breast, or known pre-existing injury areas without legal justification.



The top probe impacts the target near the LASER beam; however, the probe impact distance from the LASER will vary depending on the distance between the energy weapon and the target, type of cartridge, etc. At 15 feet (4.6 m), the LASER's position corresponds to the trajectory of a 25-foot (7.6 m) cartridge's top probe at the same range.



The bottom probe impacts at an 8-degree angle from the top probe. This results in a spread of approximately 1 foot (0.3 m) for every 7 feet (2.1 m) of distance from the energy weapon. Greater probe spread increases effectiveness.

“Silence is Golden”

The TASER energy weapon's electrical current is relatively quiet when both probes make direct contact with a human or an animal. In contrast, some practice conductive targets are loud because the energy is arcing in the air.

If electrical current is loud during field deployment and the subject is not reacting as expected, the electrical circuit may not be completed or the current may be shorting out and may not be effective. Deploy a second cartridge or consider other options in accordance with your agency's policies.

Audible Pulse Rate Changes

The energy weapon normally arcs at an average rate of 19 pulses per second (PPS). To improve the service life of the energy weapon and battery life, firmware version 4.029 allows the PPS rate to drop to approximately 9 PPS when there is no connection (e.g., a single probe hit, clothing disconnect, etc.). Thus, firing probes into a non-conductive target will likely cause this PPS reduction to occur. Upon detecting a closed circuit, the PPS will immediately return to 19 PPS. This change in PPS does not affect daily functionality checks, drive-stuns, or effective probe deployments.

Potential Causes of Reduced or No Effectiveness

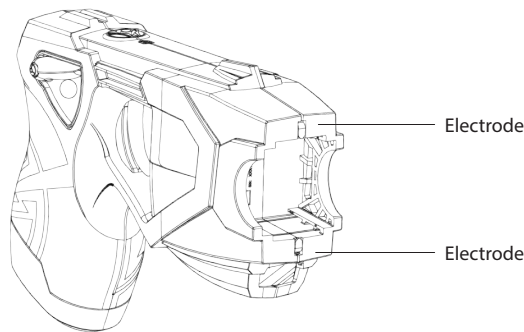
- **Loose or Thick Clothing.** If the probes lodge in clothing and are too far away from the subject, energy weapon effectiveness may be reduced.
- **Miss or Single Probe Hit.** The electrical current must pass between the probes. If one probe misses, the energy weapon will not be effective.
- **Low Nerve or Muscle Mass.** If the probes impact in an area where there is very little muscle mass (e.g., the side of the rib cage), the effectiveness may be reduced.
- **Limited Probe Spread.** Probe spreads of less than 12 inches (30 cm) may result in reduced energy weapon effectiveness.
- **Wires Break.** If a wire breaks (e.g., during a struggle), the current will not flow to the probes and the energy weapon will not be effective.

In any of the above scenarios, a second cartridge may be deployed or a drive-stun follow up may be used if practical, justified, and within your agency's policy.

Do not become over-dependent on the TASER energy weapon. No force option, including energy weapons, is 100% effective in every situation. Do not deploy the energy weapon without following your department policies and procedures.

Electrodes

The front of the X26P energy weapon has two metal electrodes. These electrodes direct the charge to the electrodes on the cartridge to initiate deployment of the probes. In addition, the electrodes provide the ability to use the X26P energy weapon in a “drive-stun” mode as a traditional stun-gun type energy weapon.



Drive-Stun Backup

Drive-stun capability is available with or without a TASER cartridge installed. To apply a drive-stun, place the safety in the up (ARMED) position and pull the trigger.

When using the drive-stun, push (drive) the front of the energy weapon firmly against the body of the subject. Simply “touching” the energy weapon against the subject is not sufficient. The subject is likely to recoil and try to get away from the energy weapon. It is necessary to aggressively drive the front of the energy weapon into the subject for maximum effect.

Drive-stun mode is not designed to cause incapacitation and primarily becomes a pain compliance option. Drive-stun is only effective while the energy weapon is in contact with the subject or when pushed against the subject's clothing. As soon as the energy weapon is moved away, the energy being delivered to the subject stops.

If the probes are deployed, even at very close range, the user may drive-stun to another portion of the body that is further away from the probes, thereby increasing the possibility of inducing incapacitation.

Recommended Drive-Stun Areas for Maximum Effect

Use the energy weapon pursuant to your agency's policies and procedures. For maximum effectiveness, drive the X26P energy weapon into the highlighted green areas as outlined below.



Suggested pressure points are highlighted in the green areas. Use care when applying the drive-stun to the neck or groin (yellow areas – users should only target these areas when they are defending themselves against a violent attacker). Stay away from the trachea and back of the neck. The trachea is soft tissue and could easily be crushed. The cervical portion of the spine is very sensitive to pressure. Also, care should be taken when applying a drive-stun to the pelvic triangle to avoid the possibility of crushing the testicles.

Refer to your department's policy regarding drive-stuns in these and other sensitive areas.

Chapter 5: Maintenance/Troubleshooting

Function Test

Axon Enterprise recommends conducting a function test every 24 hours or prior to the start of your shift for your individually issued X26P energy weapon. The function test is done to verify that the energy weapon's core electronics are working properly.

Function Test Instructions

- 1 Point the energy weapon in a safe direction.
- 2 Shift the safety switch to the down (SAFE) position.
- 3 Remove the TASER cartridge. A function test should never be conducted with a TASER cartridge in the energy weapon.
- 4 Ensure that your fingers and no other part of your body are in front of the X26P energy weapon.
- 5 Shift the safety switch to the up (ARMED) position.
- 6 Pull the trigger and visually confirm sparking across the electrodes. Allow the full 5-second cycle to run.

View the arc from the top or side of the energy weapon. Do not point the energy weapon at your face or have it near your face.

- 7 Look at the CID display and verify the following:
 - No fault icons display on the CID.
 - LO BATT is not displaying on the CID.

If any of the above verifications fail, return the unit to your agency's energy weapon technician for service.

- 8 Shift the safety switch to the down (SAFE) position.

What to Do following Energy Weapon Use

Considerations for Handling Used Probes



Biohazard

Each agency will establish its own procedure for probe removal, collection, biohazards, evidence collection and maintenance. Treat probes that have penetrated the body as contaminated needles (biohazard). Remember, however, that the probes may also be valuable evidence.

If the probes must be removed from the subject, follow all department policies and procedures, including for handling biohazards.

Below are suggested methods for probe removal.

- Grab the probe firmly and quickly pull it straight out. Do not twist the probe as the barbed tip may cause additional injury.
- If the probes are not going to be collected and maintained for evidence, carefully place used probes sharp-tip first into a sharps container, secure in place, and place in a secure location where no one will accidentally touch the probes.
- Once the subject is restrained, prior to removing the probes, evaluate the need for medical attention as you would with any other use-of-force incident.*
- Take photos of any injuries, place the photos into evidence.*
- Collect the expended cartridge, probes, and AFIDs and place them into evidence.*

* As directed by department policy. The TASER training materials provide additional information on forensic evidence collection procedures. The probes, wires, AFIDs, and cartridge can yield important forensic evidence if properly collected, maintained, and analyzed. Ensure that the energy weapon is downloaded and the downloaded logs are collected per your agency's policy.

Effects on Animals

TASER energy weapons can be an effective option for dealing with aggressive animals and have generally been successful in deployments.

Note: If a probe deployment completed circuit is initiated and maintained, the aggressive animals are usually incapacitated/stunned momentarily in energy weapon deployments, but recover quickly. Typically, the animals quickly left the scene and broke the wires.

If deployed on a domestic animal, consider having animal control available to restrain the animal.

Police/Military K-9 Caution

Energy weapon operators and K-9 officers must work closely together to develop policies and pro-

cedures for deploying the energy weapon when a K-9 is present. If a K-9 bites a probe or bites the suspect between the probes, the K-9 could receive a shock. This could have a negative impact on the future duty use of the K-9.

Downloading Firmware Revisions

The X26P energy weapon internal firmware provides functionality for all aspects of the energy weapon. The firmware can be upgraded to the most recent version by using an X26P/X2 Energy Weapon Dataport Download Kit and Evidence Sync software (Online or Offline).

Do not remove the USB cable or press the reset button on the Dataport USB pack during the reprogramming cycle.

Dataport Download Kit

Optional download kits are available to permit agencies to access the deployment information in the X26P energy weapon memory through the Axon Evidence services or the Sync Offline or Online Client software.

Note: If you have a TASER CAM HD recorder, please see the *TASER CAM HD Recorder Operating Manual* and the *Evidence Sync User Manual* for downloading instructions.

The X26P energy weapon uses a USB adapter (download cable) to connect to any Windows 7 or Windows 10 computer. The simplicity of USB makes using the dataport download kit an easy, fast process. The cable connects to the energy weapon through the battery compartment.

USB Connection Status

The USB icon will flash on the CID when the energy weapon is searching for the Evidence Sync client software. The icon will display solid when the energy weapon is connected to the software.



Evidence Sync Offline Software

If you do not have an Axon Evidence account, the Evidence Sync software can be used in the Offline mode to download the simplified Event log to your local computer and print it. The Evidence Sync Offline software will not enable you to view the full Trilogy log.

Evidence Sync Offline will *not* allow you to:

- Enable hard stop
- Disable the SPPM automatic shut-down
- Enable or disable signal transmission in safe
- Enable sharing of the engineering logs with Axon

Trilogy Log

Upon upload to Axon Evidence, the system collects the information into three related data logs called

the Trilogy logs:

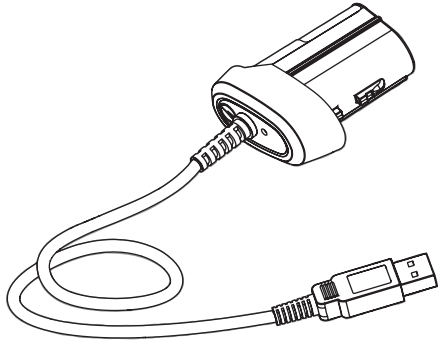
- Event log
- Pulse log
- Engineering log

The data set from the Trilogy log is uploaded securely to Axon Evidence services, where the information is encrypted, stored securely, and organized into dashboards that allow your agency to easily monitor the usage and system status of your entire arsenal of X26P energy weapons.

Upon upload to Axon Evidence services, the system displays the information from the Event and Pulse logs. Your type of Axon Evidence account will determine what data can be viewed from these logs.

Event Log

The Event log tracks events and may help protect a user from claims of excessive use of force by providing documentation of the time and date for each energy weapon deployment. The Event log also provides agencies with a powerful management tool to track usage patterns and help prevent misuse. You do not need to download the X26P to Axon Evidence services to obtain the Event log – this can be downloaded directly to your PC using the Evidence Sync (Offline) software.



The Event log includes the following information for the most recent (approximately) 16,000 entries:

- Each entry contains the date and time of each event.
- Entries include Armed, Safe, Trigger, USB connection, PowerSave mode, firmware updates, time synchronizations, PPM changes, SPPM End of transmission, agency setting changes, etc.
- The duration of each Trigger event.
- The duration of each Safe event (how long the energy weapon was armed when the safety switch was moved to the down [SAFE] position).
- The internal temperature is shown for Armed and Safe events.
- Battery percentage is shown for all armed session events (Armed, Trigger, Safe).

When the log fills to approximately 16,000 entries, it will delete the oldest 4,096 records and write new ones. This process will continue in 4,096-record increments.

Pulse Log

The Pulse log records any pulse activity. The records include how long the energy weapon was discharged, and the charge of every pulse.

Engineering Log

The Engineering log monitors the performance of key sub-systems within the X26P energy weapon. It provides alerts if a subsystem is not performing properly and if maintenance is advisable. Any internal

circuitry errors that occur inside the X26P energy weapon are written to this log. This information is used for diagnostics.

Time Synchronization

The energy weapon has a real-time clock powered by the battery pack and an internal battery as well. The energy weapon should keep accurate time even when the battery pack is removed.

The X26P energy weapon is programmed to GMT at the factory. Every time the X26P energy weapon is connected to Axon Evidence services, the system will perform a time synchronization. The conversion to local time, including adjustments to daylight savings time, are all computed by Evidence Sync software. There is no need to program the X26P energy weapon to local time or to reprogram the energy weapon to daylight savings time.

If you do not have an Axon Evidence account, the energy weapon will synchronize with your local computer's time.

Note: In Evidence Sync Offline mode, if your computer time is incorrect, the incorrect time will be displayed in your Evidence Sync-generated report.

X26P Energy Weapon Maintenance and Care

Each agency should establish a maintenance and handling program.

The X26P product is a sensitive piece of electronic equipment, and should be handled with care. Avoid dropping an X26P energy weapon. Do not use an X26P energy weapon that has a cracked handle.

- Check the battery pack regularly. Replace it when the battery percentage reaches 20%.
- Occasionally wipe out the X26P cartridge deployment bay with a dry cloth. Multiple cartridge firings create carbon build-up (particularly after training courses) that should be removed.
Do not wipe out the X26P cartridge bay immediately after the energy weapon has been fired as you might receive a latent short electrical shock. Wait at least five minutes after the last discharge of the X26P energy weapon before wiping out the bay.
- Secure the X26P energy weapon in a protective holster when the energy weapon is not in use.
- Function test the energy weapon before each shift.
- Update the energy weapon's firmware when updated firmware is released.
- Download your X26P energy weapon data to Axon Evidence services or your local PC at least once per quarter and always before sending the energy weapon for repair or warranty work.
- Avoid immersing the X26P energy weapon in water or exposing the X26P energy weapon to excessive moisture or water.
- See the troubleshooting guide at www.axon.com for additional maintenance instructions.

Check expiration of TASER cartridges (5-year expiration date is listed on the base of the cartridge). Do not use an expired TASER cartridge in the field. They should only be used for training.

Dropped or Wet X26P Energy Weapon

Do not immerse the energy weapon in water.

Follow these steps for an energy weapon that has been completely submerged in water or exposed to a significant amount of water for an extended period of time.

- 1 Secure the energy weapon in a holster and remove the battery pack as soon as possible.
- 2 Ensure that the safety switch is in the down (SAFE) position.
- 3 Remove the energy weapon from the holster.
- 4 Remove the cartridge. See *Unloading* (Chapter 4) for more information on removing the cartridge.
- 5 Follow the RMA process to submit the energy weapon, cartridge(s), and battery pack to Axon Enterprise.

Follow these steps for an energy weapon exposed to some moisture *but not submerged in water*.

- 1 Point the energy weapon in a safe direction and away from your body.
- 2 Shift the safety switch to the down (SAFE) position.
- 3 Safely remove the battery pack.
- 4 Safely remove the TASER cartridge.
- 5 Let the energy weapon dry out.

Dry the X26P energy weapon thoroughly (at least 24 hours). Do not use an external heat source such as a microwave oven or hair dryer to dry the X26P energy weapon.

- 6 Point the energy weapon in a safe direction and away from your body and ensure that the safety switch is in the down (SAFE) position.
- 7 Safely reinstall the battery pack.
- 8 Wait one minute before proceeding to the next step. Confirm that the energy weapon or battery pack is not getting warm.
- 9 Shift the safety to the up (ARMED) position.
 - If the energy weapon discharges without the trigger being pressed, shift the safety switch to the down (SAFE) position immediately, remove the battery pack, return the energy weapon to Axon Enterprise per the return policies if the energy weapon is still under warranty.
 - If the energy weapon does not discharge, go to step 10.
- 10 Look at the CID to ensure the X26P energy weapon is functioning properly and the CID is not showing any fault icons.
- 11 Confirm that the LASER and flashlight are working properly.
- 12 Press the trigger switch to test the functioning. Conduct three complete 5-second discharges to confirm the proper pulse rate and observe that the cycle stops at five seconds. See the instructions under *Function Test* for more information.
- 13 If the trigger switch does not work, or if the CID shows a critical error icon, shift the safety switch to the down (SAFE) position immediately, remove the battery pack, and return the energy weapon to Axon Enterprise per the return policies if the energy weapon is still under warranty.
- 14 If the energy weapon does function normally, shift the safety switch to the down (SAFE) position.
- 15 Connect the energy weapon to Evidence Sync and confirm the internal time is correct. See the *Evidence Sync User Manual* for more information.

- 16 Confirm that the three trigger discharges were recorded properly in the download records.
- 17 Return the energy weapon to service.

Online Troubleshooting Guide

A troubleshooting guide is available by visiting www.axon.com. If you need product support on accessories or have any other questions, please contact Axon Enterprise Technical Support online at www.axon.com or at:

U.S.: 1-800-978-2737

Australia: 1800512069

Visit www.axon.com/support for other international telephone numbers.

Product Returns

To return a TASER product for service, first follow the procedures at www.axon.com.

Always perform a complete download from the energy weapon before returning it for warranty or repair work. Any data information will be lost during servicing work performed by Axon.

If the TASER energy weapon has been exposed to bodily fluids or other biohazards, please contact the customer service department at U.S.: 1-800-978-2737, Australia: 1800512069 (other international numbers can be found at www.axon.com/support) for specific instructions BEFORE returning the X26P energy weapon.

Chapter 6: Optional Accessories

Axon Evidence Services

You can upload the data from your X26P energy weapon to Axon Evidence or Evidence.com Lite services. Evidence.com Lite is a free version of Axon Evidence (Evidence.com) services and allows downloading the X26P energy weapon, viewing the Event and Pulse logs, and updating the energy weapon software.

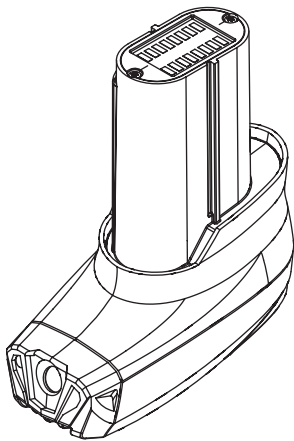
The full Axon Evidence pay service allows you to manage video records in addition to your energy weapon records. Visit www.evidence.com for details.

Evidence Sync Offline Software

The Evidence Sync software can be used in the Offline mode for energy weapon users who do not have an Axon Evidence or Evidence.com Lite account. Evidence Sync Offline enables you to download the Event log to your local computer and print it. Visit www.evidence.com or www.axon.com for details.

TASER CAM HD Recorder

The TASER CAM HD recorder allows users to capture vital information prior to, during, and after deployment or potential deployment of the X26P energy weapon. The TASER CAM HD recorder is an audio-video recording device inserted into a rechargeable X26P energy weapon power supply that replaces the standard battery pack. The TASER CAM HD recorder is activated when the safety switch is in the up (ARMED) position. There is a boot-up time delay of approximately two seconds after the safety switch is moved to the up (ARMED) position before it starts to record.



The TASER CAM HD battery is rechargeable and is capable of approximately 100 five-second firings when completely charged. Charging is accomplished through a 110-volt wall adapter through the USB cable.

The TASER CAM HD can record approximately one hour of video at maximum resolution before re-recording over previous files (continuous loop system).

Video and audio is downloaded via a USB cable and Evidence Sync software to your local computer or to Axon Evidence services.

There also is an automatic shut-down (AS) version of the TASER CAM HD recorder that emits an alarm and shuts down the energy cycle after five seconds, like the APPM and XAPPM battery packs.

Holsters

Several holsters are designed for use with the X26P energy weapon. Both right- and left-handed configurations are available. Visit our website at www.axon.com for details.

Chapter 7: Additional items

Additional information

New TASER brand products are under development. Visit our website at www.axon.com for the latest information.

Safety Data Sheets (SDS) for lithium batteries are available by contacting Axon.

Axon Academy

The Axon Academy is designed to provide training on the use of TASER-brand energy weapons and Axon Evidence (Evidence.com) services. Training is geared toward the special needs of law enforcement officers, correctional officers, medical personnel, the military, professional security, and private citizens. Energy weapon functions, medical issues, device maintenance, and personal safety are just a few of the topics covered in the offered courses.

Our cadre of instructors consists of active and former law enforcement officers and military trainers. Many are internationally recognized experts in use of force at all levels with extensive training backgrounds.

All of our instructors are committed to providing high-level training and to forming lasting relationships to support our students long after they leave the Axon Academy.

For more information visit our website www.axon.com or give us a call at 1.800.978.2737 option 7 or +1.480.905.2000.

Courses currently offered or in development:

- TASER Energy Weapon Basic Instructor Course
- TASER Energy Weapon Master Instructor Course
- Evidence Collection and Analysis Course
- Body Worn Camera Certification

Medical Research

TASER energy weapons are among the most extensively studied force options. Medical studies have found that modern pacemakers and implanted cardiac defibrillators withstand automated external defibrillators (AEDs) that are orders of magnitude stronger than the TASER energy pulses weapon. Numerous energy weapon-related medical and field studies have been published. For more information go to www.axon.com.

See the current product warnings, training materials, licensing agreements, and specification sheets for more information about your TASER product.

Radio Waves



An SPPM transmission is in the frequency range of 2402 to 2480 MHz.

Changes or modifications to the equipment not expressly approved by the manufacturer could void the product warranty and the user's authority to operate the equipment.

Your wireless device is a radio transmitter and receiver. It is designed and manufactured not to exceed the emission limits for exposure to radio frequency (RF) energy set by the Federal Communications Commission (FCC) of the U.S. Government. These limits are part of comprehensive guidelines and establish permitted levels of RF energy for the general population. The guidelines are based on standards that were developed by independent scientific organizations through periodic and thorough evaluation of scientific studies. The standards include a substantial safety margin designed to assure the safety of all persons, regardless of age and health. Before a device model is available for sale to the public, it must be tested and certified to the FCC that it does not exceed the limit established by the government-adopted requirement for safe exposure. This equipment has been tested and found to comply with the limits for a Class B digital device, pursuant to part 15 of the FCC Rules. These limits are designed to provide reasonable protection against harmful interference in a residential installation. This equipment generates, uses and can radiate radio frequency energy and, if not installed and used in accordance with the instructions, may cause harmful interference to radio communications. However, there is no guarantee that interference will not occur in a particular installation. If this equipment does cause harmful interference to radio or television reception, which can be determined by turning the equipment off and on, the user is encouraged to try to correct the interference by one or more of the following measures:

Reorient or relocate the receiving antenna.

Increase the separation between the equipment and receiver.

Connect the equipment into an outlet on a circuit different from that to which the receiver is connected.

Consult Axon Enterprise Technical Support for help.

FCC/IC NOTICE: This device meets the body worn human exposure limits found in OET Bulletin 65, 2001, and ANSI/IEEE C95.1, 1992. Proper operation of this equipment according to the instructions found in this guide will result in exposure substantially below the FCC's recommended limits. To comply with the FCC and ANSI C95.1 RF exposure limits, this device has been tested for compliance with FCC RF Exposure limits in the typical configuration. The radiated output power of this wireless device is far below the FCC radio frequency exposure limits.

This device complies with part 15 of the FCC Rules. Operation is subject to the following two conditions: (1) This device may not cause harmful interference, and (2) this device must accept any interference received, including interference that may cause undesired operation.

Section 8.4 of RSS-GEN

This Device complies with Industry Canada License-exempt RSS standard(s). Operation is subject to the following two conditions: 1) this device may not cause interference, and 2) this device must accept any interference, including interference that may cause undesired operation of the device.

Cet appareil est conforme aux normes d'exemption de licence RSS d'Industrie Canada. Son utilisation est soumise aux conditions suivantes : 1) cet appareil ne doit pas causer de brouillage, et 2) doit accepter tout brouillage, y compris le brouillage pouvant entraîner un fonctionnement indésirable.

Section 8.3 of RSS-GEN

Under Industry Canada regulations, this radio transmitter may only operate using an antenna of a type and maximum (or lesser) gain approved for the transmitter by Industry Canada. To reduce potential radio interference to other users, the antenna type and its gain should be chosen so that the equivalent isotropically radiated power (e.i.r.p.) is not greater than necessary for successful communication.

Conformément à la réglementation d'Industrie Canada, le présent émetteur radio ne peut fonctionner qu'au moyen d'une antenne d'un seul type et d'un gain maximal (ou inférieur) approuvé pour l'émetteur par Industrie Canada. Dans le but de réduire les risques de brouillage radioélectrique pour les autres utilisateurs, il faut choisir le type d'antenne et son gain de sorte que la puissance isotrope rayonnée équivalente (p.i.r.e.) ne dépasse pas celle requise pour établir une communication satisfaisante.

THIS MODEL DEVICE MEETS THE GOVERNMENT'S REQUIREMENTS FOR EXPOSURE TO RADIO WAVES.

CE Declaration of Conformity

Axon Enterprise, Inc. declares that this Axon system is in compliance with the requirements and other relevant provisions of the Radio Equipment Directive (RED) 2014/53/EU and the Directive 2014/30/EU regarding electromagnetic compatibility. A copy of the original Declaration of Conformity can be found at www.axon.com.

Compliance Marks

MSIP (South Korea) Compliance Information

Applicant Name: Axon Enterprise, Inc.

Manufacturer / Manufacturer Country: Axon Enterprise, Inc. / USA

Name of equipment / model name: Specific low power wireless device (wireless device for wireless data communication system) / T00074

Certification Number: R-CRM-CEW-T00074

Year of manufacture: separate marking

This equipment is intended for home use (Class B) for electromagnetic compatibility and is intended for home use and may be used in all areas.





RCPAXT018-0158



TA-2018/405 APPROVED

URCA_TA/2018_102

AGREE PART L'ANRT MAROC

Numéro d'agrément: MR 18066 ANRT 2018

Date d'agrément: 26 NOV 2018



ANATEL
Agência Nacional de Telecomunicações

03457-19-10342

Este equipamento não tem direito à proteção contra interferência prejudicial e não pode causar interferência em sistemas devidamente autorizados.



นบอ.

เครื่องวิทยุคมนาคมนี้ ได้รับยกเว้น ไม่ต้องได้รับใบอนุญาตให้มี ใช้งานเครื่องวิทยุคมนาคม หรือตั้งสถานีวิทยุคมนาคมตามประกาศ กสทช. เรื่อง เครื่องวิทยุคมนาคม และสถานีวิทยุคมนาคมที่ได้รับยกเว้นไม่ต้องได้รับใบอนุญาตวิทยุคมนาคม ตามพระราชบัญญัติวิทยุคมนาคม พ.ศ. 2498



nabo. โทรคมนาคม
กำกับดูแลโดยประชาชน
Call Center 1200 (FreeCall)

CAN ICES-003(B) / NMB-003(B)



NR: 2020-11-I-0823



Axon Enterprise, Inc.
17800 N 85th St
Scottsdale, AZ 85255 USA

Product functions and specifications may change without notice and the actual product may vary from the illustrations in this manual.

Windows is a trademark of Microsoft Corporation.

▲, ▲ AXON, Axon, Axon Evidence, Axon Flex, X2, X26, X26P, TASER, ⚡, and ⚡ are trademarks of Axon Enterprise, Inc., some of which are registered in the US and other countries. For more information, visit www.axon.com/legal. All rights reserved.
© 2022 Axon Enterprise, Inc.

MMU0042 Rev: M